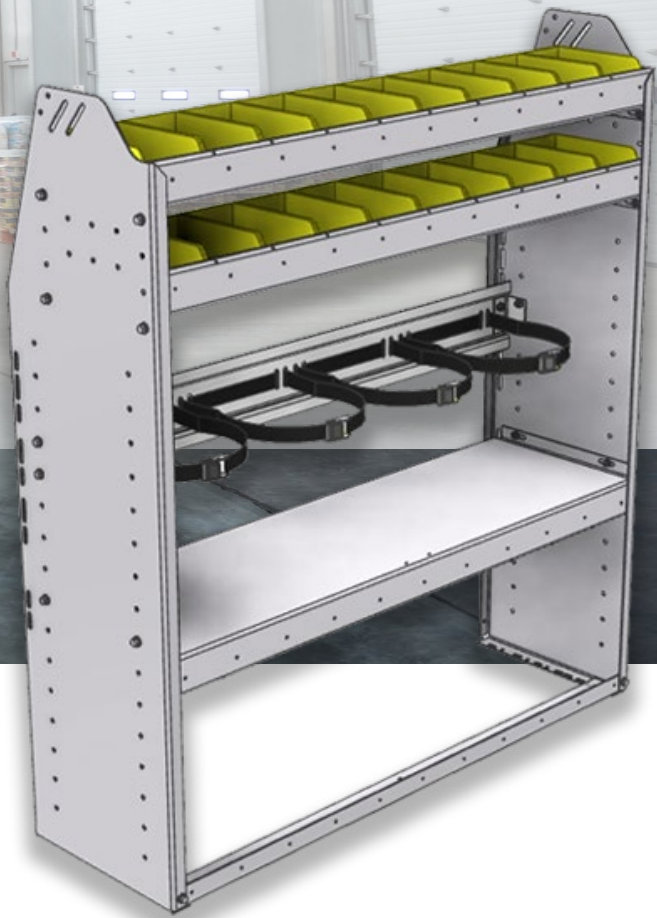


REFRIGERANT BIN SHELVING



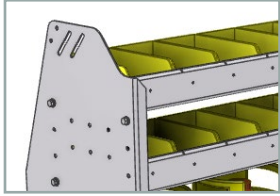
**REFRIGERANT BIN SHELVING UNITS
PROFILED BACK**

REFRIGERANT BIN SHELVING

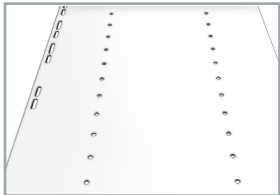


PROFILED BACK

Our Profiled back Refrigerant Bin units are fabricated with 5052-H32 .100" thick aluminium. They are lightweight, strong and sturdy. All models come with a bottle track and cam buckles. Carefully designed with smart and functional features that are based upon 50 years of design, fabrication and installation experience.



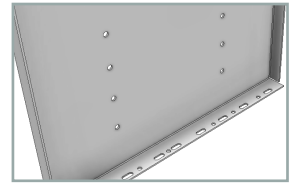
STRONG. Our injection molded polypropylene bins are thick, strong and resistant to extreme cold.



VERSATILE. Our Side Panels are designed so you can adjust your shelves in 2" increments.



ADJUSTABLE. The bottle shelf can be adjusted in 2" increments.



SMART. Our bottom pan design gives you extra room to use a powerdrill, and is designed to bolt down on the top of the floor's strengthening ribs.



PART NUMBER	DEEP (IN.)	WIDE (IN.)	HIGH (IN.)	BOTTLE SHELVES	NRW / STD SHELVES	BOTTLE COUNT	NRW / STD BINS	CAM BUCKLES	WEIGHT (LBS.)	OPTIONS			
										STD SHELVES	NRW SHELVES	1 STD SHELF LINER	1 NRW SHELF LINER
37-3336-2	13.5	34.5	36	1	1 / 0	3	8x SH-BIN	3	28.60	SBS-33	NBS-31	SBL-33	NBL-31

REFRIGERANT BIN SHELVING



PROFILED BACK



PART NUMBER	DEEP (IN.)	WIDE (IN.)	HIGH (IN.)	BOTTLE SHELVES	NRW / STD SHELVES	BOTTLE COUNT	NRW / STD BINS	CAM BUCKLES	WEIGHT (LBS.)	OPTIONS			
										STD SHELVES	NRW SHELVES	1 STD SHELF LINER	1 NRW SHELF LINER
37-3348-2	13.5	34.5	48	1	1 / 0	3	8X SH-BIN	3	33.05	SBS-33	NBS-31	SBL-33	NBL-31



PART NUMBER	DEEP (IN.)	WIDE (IN.)	HIGH (IN.)	BOTTLE SHELVES	NRW / STD SHELVES	BOTTLE COUNT	NRW / STD BINS	CAM BUCKLES	WEIGHT (LBS.)	OPTIONS			
										STD SHELVES	NRW SHELVES	1 STD SHELF LINER	1 NRW SHELF LINER
37-3348-3	13.5	34.5	48	1	1 / 1	3	8X SH-BIN 8X MD-BIN	3	42.87	SBS-33	NBS-31	SBL-33	NBL-31

REFRIGERANT BIN SHELVING



PROFILED BACK



PART NUMBER	DEEP (IN.)	WIDE (IN.)	HIGH (IN.)	BOTTLE SHELVES	NRW / STD SHELVES	BOTTLE COUNT	NRW / STD BINS	CAM BUCKLES	WEIGHT (LBS.)	OPTIONS			
										STD SHELVES	NRW SHELVES	1 STD SHELF LINER	1 NRW SHELF LINER
37-4348-2	13.5	43	48	1	1 / 0	4	10X SH-BIN	4	36.64	SBS-43	NBS-41	SBL-43	NBL-41

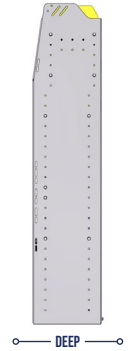


PART NUMBER	DEEP (IN.)	WIDE (IN.)	HIGH (IN.)	BOTTLE SHELVES	NRW / STD SHELVES	BOTTLE COUNT	NRW / STD BINS	CAM BUCKLES	WEIGHT (LBS.)	OPTIONS			
										STD SHELVES	NRW SHELVES	1 STD SHELF LINER	1 NRW SHELF LINER
37-4348-3	13.5	43	48	1	2 / 0	4	20X SH-BIN	4	46.16	SBS-43	NBS-41	SBL-43	NBL-41

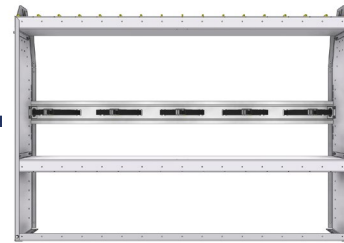
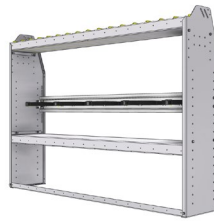
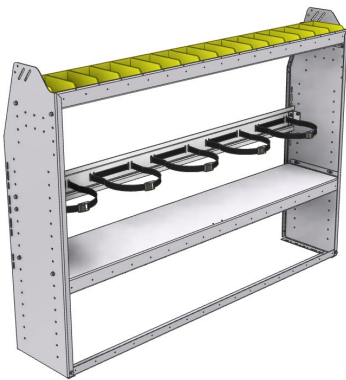
REFRIGERANT BIN SHELVING



PROFILED BACK



PART NUMBER	DEEP (IN.)	WIDE (IN.)	HIGH (IN.)	BOTTLE SHELVES	NRW / STD SHELVES	BOTTLE COUNT	NRW / STD BINS	CAM BUCKLES	WEIGHT (LBS.)	OPTIONS			
										STD SHELVES	NRW SHELVES	1 STD SHELF LINER	1 NRW SHELF LINER
37-4363-4	13.5	43	63	1	2 / 1	4	14X SM-BIN 10X MD-BIN	4	68.47	SBS-43	SBS-41	SBL-43	SBL-41



PART NUMBER	DEEP (IN.)	WIDE (IN.)	HIGH (IN.)	BOTTLE SHELVES	NRW / STD SHELVES	BOTTLE COUNT	NRW / STD BINS	CAM BUCKLES	WEIGHT (LBS.)	OPTIONS			
										STD SHELVES	NRW SHELVES	1 STD SHELF LINER	1 NRW SHELF LINER
37-6348-2	13.5	69.13	48	1	1 / 0	5	16X SH-BIN	5	48.67	SBS-63	NBS-61	SBL-63	NBL-61

REFRIGERANT BIN SHELVING

PROFILED BACK



PART NUMBER	DEEP (IN.)	WIDE (IN.)	HIGH (IN.)	BOTTLE SHELVES	NRW / STD SHELVES	BOTTLE COUNT	NRW / STD BINS	CAM BUCKLES	WEIGHT (LBS.)	OPTIONS			
										STD SHELVES	NRW SHELVES	1 STD SHELF LINER	1 NRW SHELF LINER
37-6363-4	13.5	69.13	63	1	2 / 1	5	22X SM-BIN 16X MD-BIN	5	96.14	SBS-63	NBS-61	SBL-63	NBL-61